

# NEXUS - PC CONNECTION (with a NMEA GPS)

---

## Different ways of connecting a PC to the NEXUS system.

There are different ways of connecting a PC to the NEXUS system if having a NMEA GPS  
The different connections depend how you want to use your PC to the NEXUS system.  
Below you will find the different ways of using the PC to the NEXUS system.  
At page 2-4 you will find how to connect the units depending which application you are choosing

- A.** You want to get the position in to the PC to be able to make waypoints and routes in the chart plotting software. The NMEA GPS is only used as **GPS antenna**.  
**No information** is sent back to the NEXUS system i.e all navigational data (BTW, DTW, XTE etc) are still in the PC.
- B.** You want to get the position in to the PC to be able to make waypoints and routes in the chart plotting software. The NMEA GPS is only used as **GPS antenna**.  
**The navigational steering information** shall be sent back to the NEXUS system from the PC.  
I.e. It will be possible to see the steering information (BTW, XTE, DTW etc) in the NEXUS instruments.
- C.** You want to get the position **as well as boat data information** (boat speed, wind speed, wind angle, heading course, etc) to your PC. The reason being is to be able to make waypoints and routes in the chart plotting software but also to let the PC calculate optimum performance data (e.g. TBS, optimum angle for best VMG etc.). The NMEA GPS is only used as **GPS antenna**.  
**ALL available data are sent back to the NEXUS system** from the PC to be able to present the steering and performance information in the NEXUS instruments.  
To get this application you will need a NEXUS GPS Navigator instrument part. No. 21032.

### **NOTE!!**

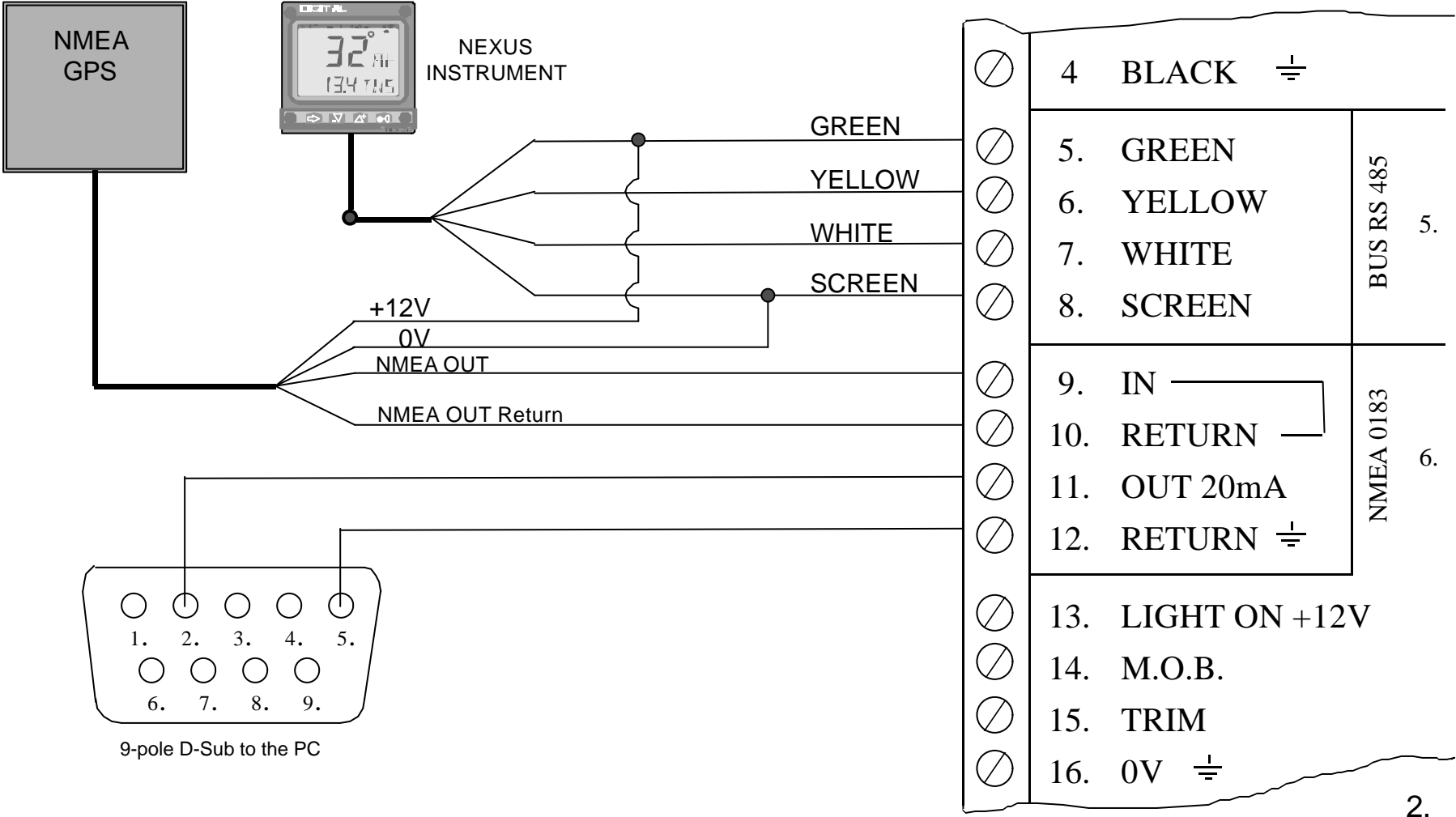
**If your PC (software) application is going to work as you expect it to with the NEXUS system you need to know if the software is able to handle the data you want.**

**Please goto <http://www.silva.se/marine> => Click on [Support] / [Marine Electronics] / [PC Test], and you will find different PC software tests.**

**Connection A.**  
**PC -> NEXUS. No information is sent to NEXUS**

Settings in NEXUS Multi Control instrument:

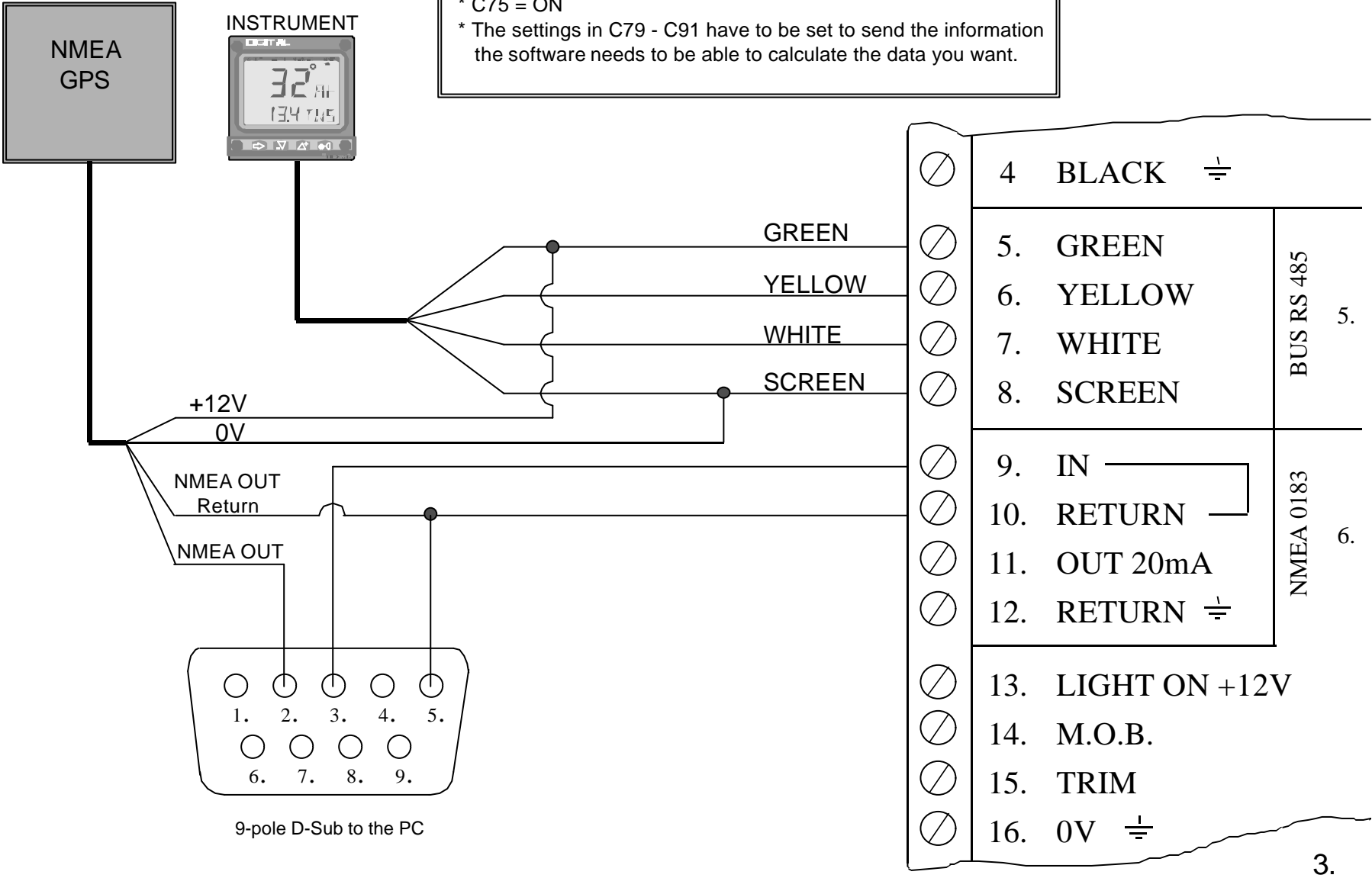
- \* C75 = ON
- \* The settings in C79 - C91 have to be set to send the information the software needs to be able to calculate the data you want.



**Connection B.**  
 PC -> NEXUS. Steer data is sent back to the NEXUS system.

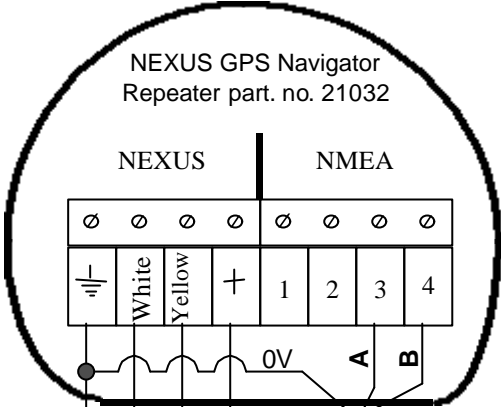
Settings in NEXUS Multi Control instrument:

- \* C75 = ON
- \* The settings in C79 - C91 have to be set to send the information the software needs to be able to calculate the data you want.



**Connection C.**  
**PC -> NEXUS. Steer and performance data is sent back to the NEXUS system**

NMEA GPS

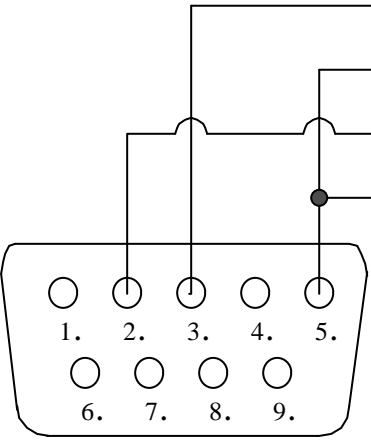
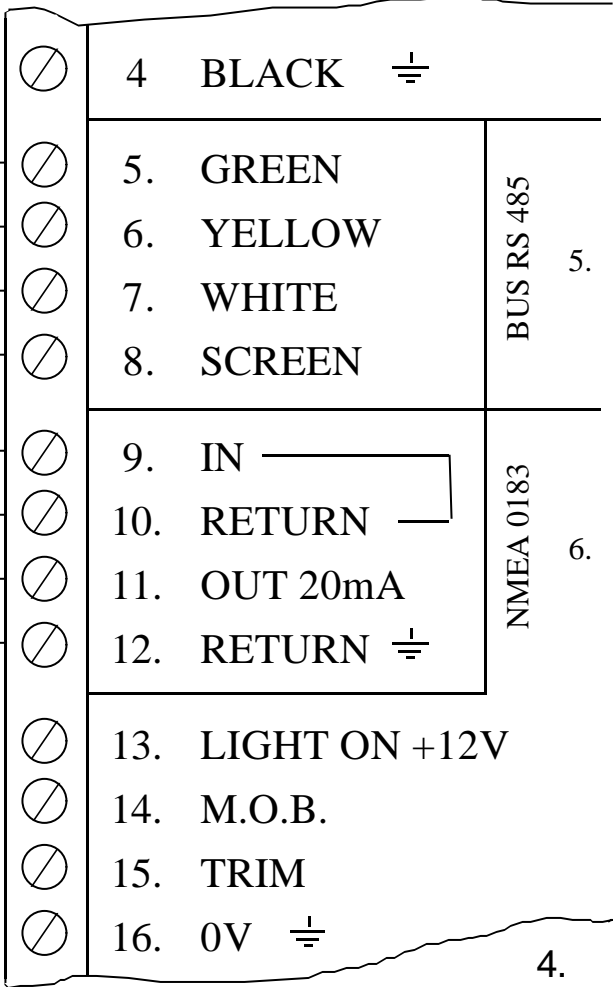


Settings in NEXUS Multi Control instrument:

- \* C75 = ON
- \* The settings in C79 - C91 have to be set to send the information the software needs to be able to calculate the data you want.

A = NMEA OUT  
 B = NMEA OUT Return

GREEN  
 YELLOW  
 WHITE  
 SCREEN



9-pole D-Sub to the PC